

# MA McCoy Swing Door Latch

## Privacy Knob

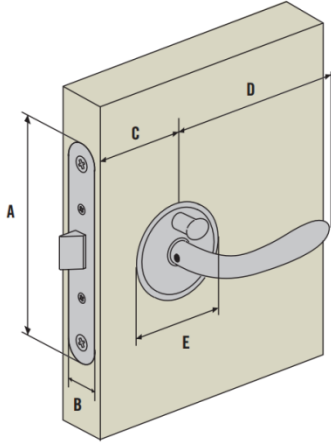
### Features

- Marine-grade materials to prevent corrosion
- Double springs keep handle from sagging
- Emergency lock override
- Privacy lock option

### Notes

- Strikers sold separately

### Door Latch



### Material

- Lock engine: Brass
- Handles, escutcheons, accents and privacy knob: Brass

### Appearance

- Combine handles, escutcheon plates, and accent plates to customize the latch for your application.
- For unique styling combine the McCoy with a wide range of stylish Olivari handles.

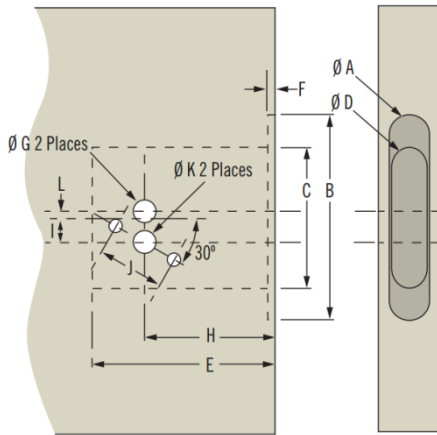


	Imperial		Metric
	Nominal	Decimal	
A	3 29/32	3.91	99
B	41/64	.64	16
C	1 23/32	1.71	43.5
D	3 15/16	3.94	100
E	2 3/16	2.17	55

### Handle Types



### Panel Preparation

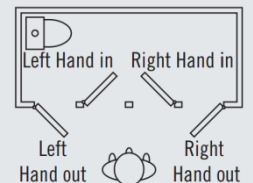


	Imperial		Metric
	Nominal	Decimal	
A	5/8	.64	8.2
B	3 29/32	3.91	99
C	2 31/64	2.48	63
D	1/2	.50	13
E	2 15/32	2.46	62.5
F	5/64	.08	2
G	5/8	.63	16
H	1 25/32	1.77	45
I	1/2	.50	12.5
J	1 3/32	1.09	27.7
K	1/4	.25	6.5

**MA - BB - D L T - HH - FF**

- BB Latch Mechanism**
  - 01 Standard Springbolt
  - 08 Double Springbolt
- FF Finish**
  - 10 Chrome
  - 12 Chrome + Satin Accent
  - 14 Chrome + Brass Accent
  - 20 Satin
  - 21 Satin + Chrome Accent
  - 40 Diamond Brass
- HH Handle**
  - 01 Nova
  - 02 Portofino
- T Door Thickness**
  - 0 22-30mm (7/8" - 1 3/16")
  - 1 28-37mm (1 1/8" - 1 1/2")
- L Locking Option**
  - 0 Non Locking **D** = 6 or 7
  - 2 Privacy **D** = 2, 3, 4 or 5
- D Directional**
  - 2 Right Out
  - 3 Right In
  - 4 Left Out
  - 5 Left In
  - 6 Right Out - Left In
  - 7 Left Out - Right In

### D Directional Door Swing:



We are proud to be Southco's authorized distributor of over 20 years

# MA McCoy Swing Door Latch

Olivari handles

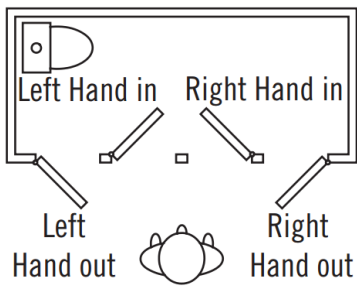
### Features

- The award winning Olivari handles can be teamed with the world class McCoy lockset to provide the look and feel that set your design apart



MA - **BB** - **D** **L** **T** - **HHH** - **FF**

**HHH** Handle  
Refer to 3-digit handle code for example  
Aster = 174  
Sector = 186

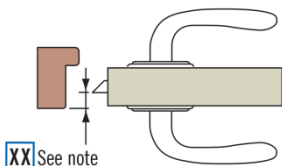


# MA McCoy Swing Door Latch

Striker

### Material

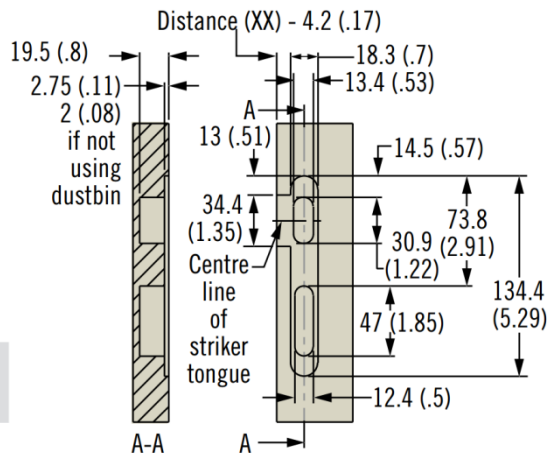
- Brass, chrome plated



**XX** See note

Note:  
Distance **XX** is measured from the edge of the frame to the spring bolt

### Panel Preparation



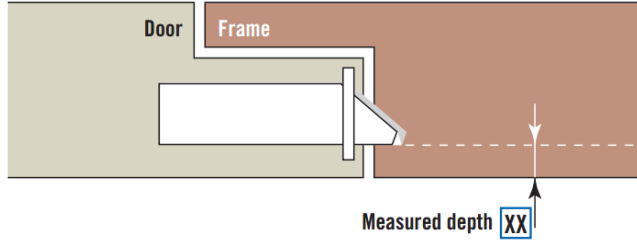
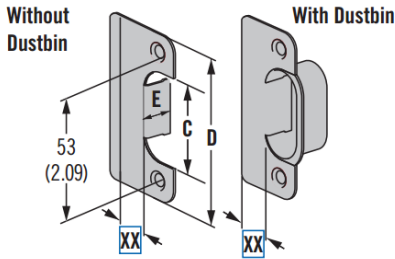
MC - 90 - 4 **XX** - **Y** - **Z** - 10

- XX** Position
- 05 5mm (3/16")
  - 07 7mm (1/4")
  - 09 9mm (3/8")
  - 13 13mm (1/2")
  - 16 16mm (5/8")
  - 21 21mm (7/8")
- Y** Swing
- 1 Right In/Left Out
  - 2 Left In/Right Out
- Z** Dustbin Option
- 0 No Dustbin
  - 1 With Dustbin

## MC Striker

### Features

- Available in seven different sizes
- Suitable for Offshore, McCoy, Compact, and Omni swing door latches and many door and frame configurations and door thicknesses
- Striker tongue prevents wear from boat vibration
- Optional dustbin hides sawdust in the cut out hole and provides an elegant finish to the frame edge



To find the right striker for your application, measure the distance from the door face to the edge of the springbolt of the latch.

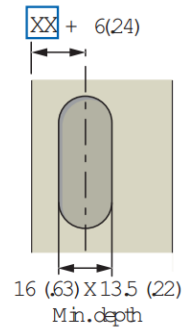
C		D		E	
Metric	Imperial	Metric	Imperial	Metric	Imperial
36	1 7/16	68	2 11/16	13	1/2

**MC - 90 - Z XX - FF**

**Z Dustbin Option**  
 1 No Dustbin  
 2 With Dustbin

**XX Position**  
 03 3mm (7/64")  
 05 5mm (3/16")  
 07 7mm (1/4")  
 09 9mm (3/8")  
 13 13mm (1/2")  
 16 16mm (5/8")  
 21 21mm (7/8")

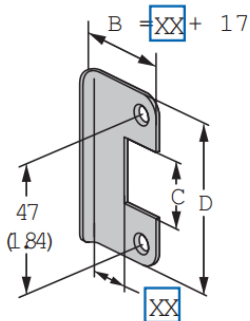
**FF Finish**  
 10 Brass, nickel plated  
 24 Stainless steel  
 40 Brass



## MC Whale Striker

### Features

- Suitable for Offshore, McCoy and Compact swing door latches
- Quick and easy installation



**MC - 90 - 3 - XX - FF**

**XX Position**  
 03 3mm (7/64")  
 05 5mm (3/16")  
 07 7mm (1/4")  
 09 9mm (3/8")  
 13 13mm (1/2")  
 16 16mm (5/8")  
 21 21mm (7/8")

**FF Finish**  
 10 Brass, nickel plated  
 40 Brass

C		D	
Metric	Imperial	Metric	Imperial
60	2 3/8	22	7/8